

i-Series Standard IP Camera



Driving IP-based physical security
through global standardization

VDA110EHi Vandal Proof Armor Dome

H.264 / M-JPEG Dual Mode, 1/3 inch Sony 960H Ex-view HAD CCD II, Day/Night, 2 Way Audio(Optional), Standard PoE, Night Vision with IR LED's (for IR version), IPv4 & IPv6 Compatible
Model: VDA110EHi / VDA110EHi-IR (Night Vision)



The Vision i-Series Network IP Camera, with its high quality video, is designed for any networked security surveillance application, and comes fully equipped with state-of-the-art features setting it apart from other network cameras on the market today.

The VD101EHi provides high quality IP video for the most critical video surveillance applications.

Features

- 1/3" Sony 960H Ex-view HAD CCD II
- 650TVL(Color Mode in Daytime)/ 700TVL(BW mode in Night time)
- New Color Signal Processing for High Color Reproduction
- 2D DNR(Digital Noise Reduction)
- ATR(Adaptive Tone-Curve Reproduction)
- Diverse White Balance (ATW, Push, Push Lock, User 1/2, Anti Color Rolling, Manual)
- Highlight Compensation
- Dynamic and Static White Blemish Compensation
- Vandal Proof, fire resistant and tamper resistant
- Perfect tool-free 3-Axis mechanism inside for visual alignment
- Patented intelligent IR technology (VDA110EHi-IR)
- 30M IR distance and extended IR life span (VDA110EHi-IR)
- Dust and Moisture free (IP66 Waterproof)



Product info support@visionhitech.co.kr
Marketing vht@visionhitech.co.kr

- Dual Streaming of H.264 and M-JPEG
- Up to 30 frames per second in all image resolutions
- Supports image resolutions up to D1
- IPv4 & IPv6 compatible
- Integrated motion detection with pre- and post-alarm image/video buffering
- Event-triggered FTP and email upload of still images and videos
- Full Duplex Two-Way Audio Support (Option)
- Digital PTZ
- UPnP supported
- Micro-SD Local storage, event triggered, scheduled and continuous recording supported
- 1 Port analog video loop-out port
- External microphone input & speaker output connector
- Terminal block for external sensors or external alarm devices
- Supports CBR (constant bit rate) and VBR (variable bit rate) modes
- Controllable frame rate
- Video access through any standard Web browser
- Privacy Masking up to 4 areas
- Supports IEEE 802.3af Power over Ethernet injectors, mid- and end-spans
- Integrated HTTP Web server supporting 50 simultaneous user connections
- HTTPS supported (Hyper Text Transfer Protocol Secured)
- Integrated E-Mail, FTP, DDNS and DHCP client
- Extensive CGI API for software integration and remote programming operations
- Including Windows based IP Installer and NVR(Network Video Recorder) software for up to 16 channels

Specifications

Classification		Specification	
		VDA110EHi	VDA110EHi-IR
General	CPU	32-bit ARM9 RISC CPU up to 533MHz, 32KB I/D-Cache, MMU	
	Video Buffer	16Mbyte Video Frame Buffer	
	Flash	16 Mbyte Flash Memory	
	SDRAM	256Mbyte	
Image Pickup	Image sensor	1/3" Sony 960H Ex-view HAD CCD II	
	Effective Pixels	NTSC : 976(H) x 494(V), PAL : 976(H) x 582(V)	
	H. Resolution	650TV Lines(Color)/ 700TV Lines(B/W)	
	Synchronizing system	Internal	
	Scanning system	NTSC : 525 Lines PAL : 625 Lines 2:1 Interlaced	

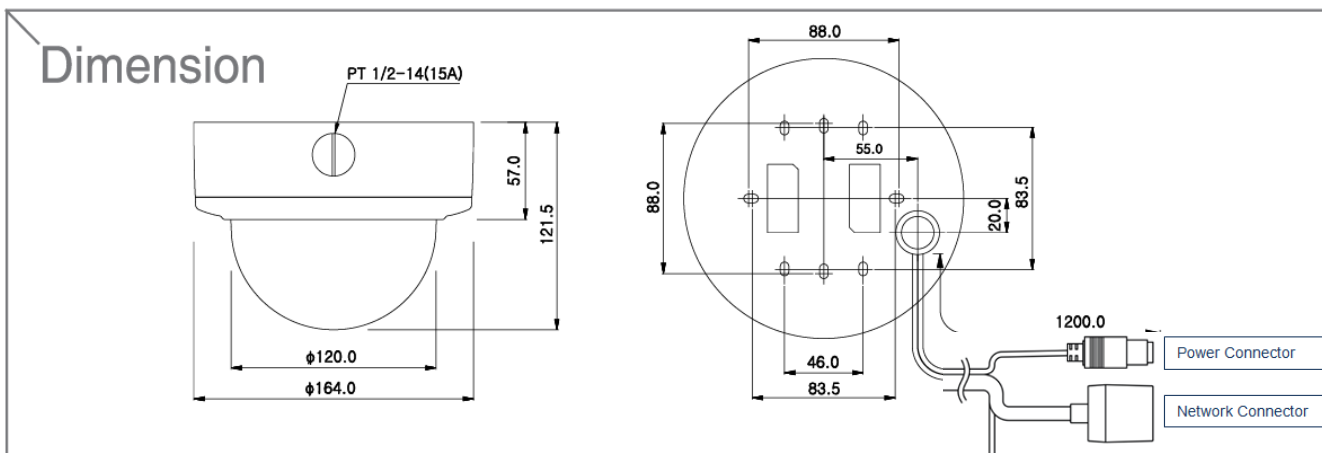


	S/N Ratio	More than 52dB (AGC Off)	
	Min. Illumination	0.1 Lux (Color), 0.01Lux (B/W)	0Lux (IR On)
	Shutter Speed	NTSC:1/60~1/100,000 sec. PAL:1/50~1/100,000 sec.	
	Gamma Correction	Standard $\gamma = 0.45$	
	Lens (Standard)	2.8-12mm Varifocal DC Auto Iris lens	
Video	Video compression	H.264 baseline profile, Motion JPEG	
	Resolutions	Up to D1(NTSC:720X480, PAL:720X576)	
	Frame rate	H.264 Up to 30fps at D1	
		MJPEG Up to 30fps at D1	
	Video streaming	Support multi stream with H.264, MJPEG	
		Adjustable frame rate	
		VBR/CBR in H.264	
	Pan/Tilt/Zoom	Digital PTZ	
	Image setting	Day & Night	
		Auto White Balance	
		Auto Exposure	
Effect - Color, Sharpness, Mirror/V-Flip, etc.			
BNC x1, 1.0Vp-p, 75 ohm Composite Video, NTSC/PAL			
Privacy Mask			
	Effect - Color, Sharpness, Mirror/V-Flip, etc.		
Output	BNC x1, 1.0Vp-p, 75 ohm Composite Video, NTSC/PAL		
Audio (Option)	Audio streaming	Two-way, full duplex	
	Audio compression	G.711	
	Sample Rate	8KHZ	
	Data Rate	64Kbps	
	Audio input	Microphone input /1 x Line-In (Mono)	
	Audio output	Line output/ 1 x Line-Out (Mono)	
Network	Security	Password protection	
		User access log	
		HTTPS encryption	
	Supported protocol	HTTP, HTTPS, FTP, SMTP, UPnP, DNS, DynDNS, NTP RTSP, RTP, TCP, UDP, ICMP, DHCP	
System integration	Intelligent video	Motion detection up to 1280x720 with 32x24 blocks	
	Alarm trigger	Motion detection	
		External input/Normal Open/Close Type	

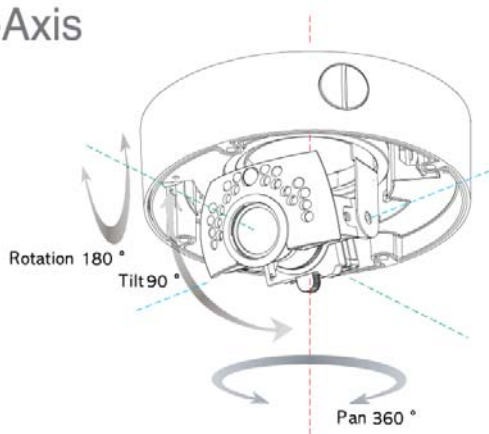
	Alarm events	File upload via ftp, e-mail	
		Notification via email, FTP and TCP	
	Video buffer	16MB pre-alarm and post-alarm	
	Recording	Save to Micro SD card with event mode and continuous mode	
	Firmware upgrade	Remote upgrade via network	
	API	CGI Interface document	
		ActiveX Interface(ocx(dll) + document)	
Physical	RESET Button	1 x Factory Reset Button	
	Power Source	DC 12V/1.5A, PoE(Power over Ethernet): 802.3af	
	Power Consumption	Max. 5.5W	Max. 7.2W with IR On
	Net Weight	520g Appr.(Camera Only)	
	LED's	Power, Network Connection	
	Dimension	134(Ø) x91.7(H)	
Environment	Operating Temperature	-25 degree~50 degree Celsius (-13F~122F)	
	Storage Temperature	-25 degree~60 degree Celsius (-13F~140F)	
Software	Included Software	NVR Lite (16 Channel), IP Installer (Windows Only)	
Package	Package Contents	Network Camera, Use Manual, External Power Adaptor, Software CD	

■ Specifications are subject to change without prior notice to enhance performance and stability

Dimension



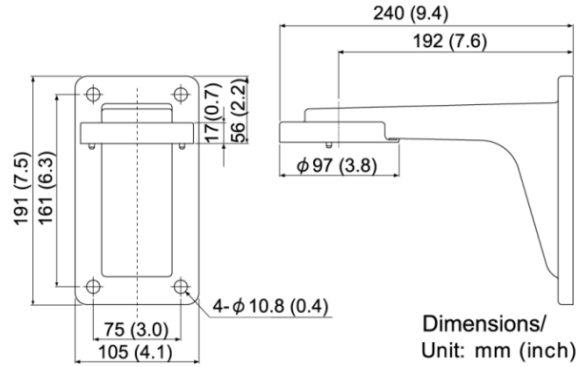
Perfect 3-Axis



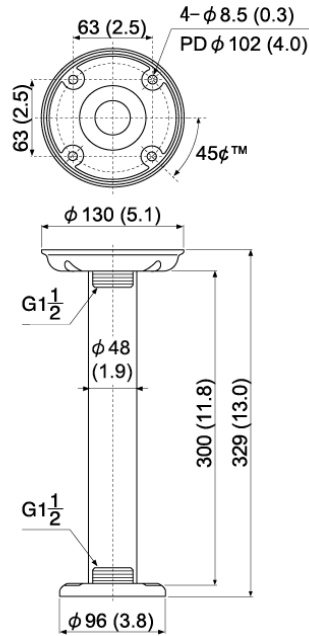
Product info support@visionhitech.co.kr
Marketing vht@visionhitech.co.kr

Accessories

Wall Mount Bracket



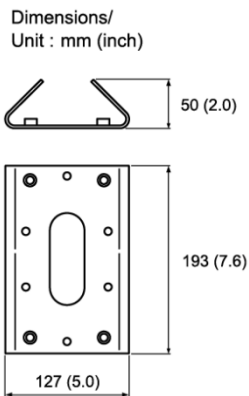
Ceiling Pendant Bracket



Outdoor Housing



Pole Mount Bracket



Corner Mount Bracket

